



iCIP

THE JETTERS RANGE

The iCIP range of jettors are easy to use and deliver a set flow rate of wash solution to the cluster ensuring maximum hygiene.

iCIP is a new generation of jettor moulded in the latest durable engineering plastics. The family of products are designed for herringbone and rotary in both low line and midline installations.

The jettor includes an innovative "one piece" non return valve and easy flow adjustment device. This makes installation and service easy while allowing the clusters to be loaded into the jettors without losing vacuum.

With the iCIP Rubber cup jettor the teat cup liner fits securely into the rubber cup cleaning the head of the liner thoroughly. The rubber cup protects and extends liner life and does not distort the liner mouthpiece.

The iCIP Clip-in model inverts the cluster for washing and is self supporting. Designed especially for low line mounting under the pit edge the jettor is easily loaded for washing and stored away after use.

Both models have options of pipeline mount or nipple feed to suit the installation.

KEY FEATURES

- Delivers a set flow rate of wash water to the cluster for maximum hygiene
- Non-return valve and one piece adjustment device
- Rubber cup and clip in models available
- Options of pipeline mount or nipple feed

SPECIFICATIONS

BODY	Glass filled Polypropylene
SCREWS	Stainless Steel
NON-RETURN VALVE	Yes
FLOW RESTRICTOR	2-5 litres per minute Adjustable
DIMENSIONS	210mmL x 210mmW x 90mmH





iCIP RUBBER CUP – ROTARY MOUNT

- Mounts using 4 x M6 screws into brass tapex in body back plate
- Various mounting plate options
- Fed using 12.7mm ID hose
- Stainless steel cover option



iCIP CLIP-IN – ROTARY MOUNT

- Mounts using 4 x M6 screws into brass tapex in body back plate
- Jetter folds out in cabinet system or under platform edge
- Fed using 12.7mm ID hose
- Self supporting, no cluster bracket required



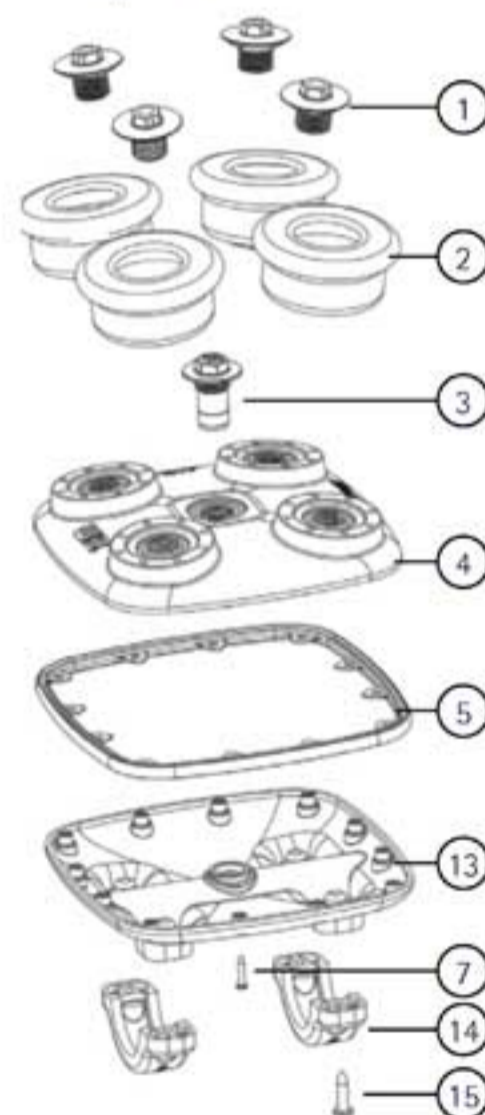
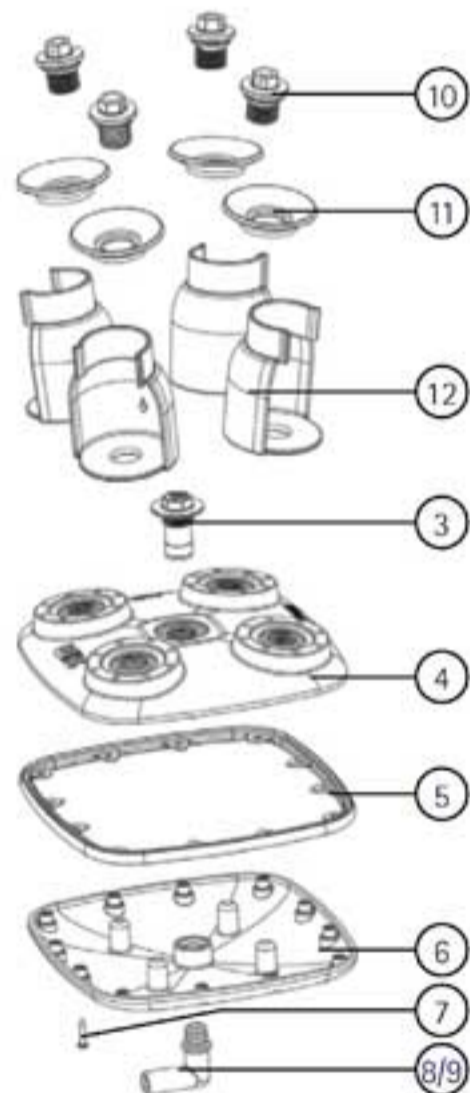
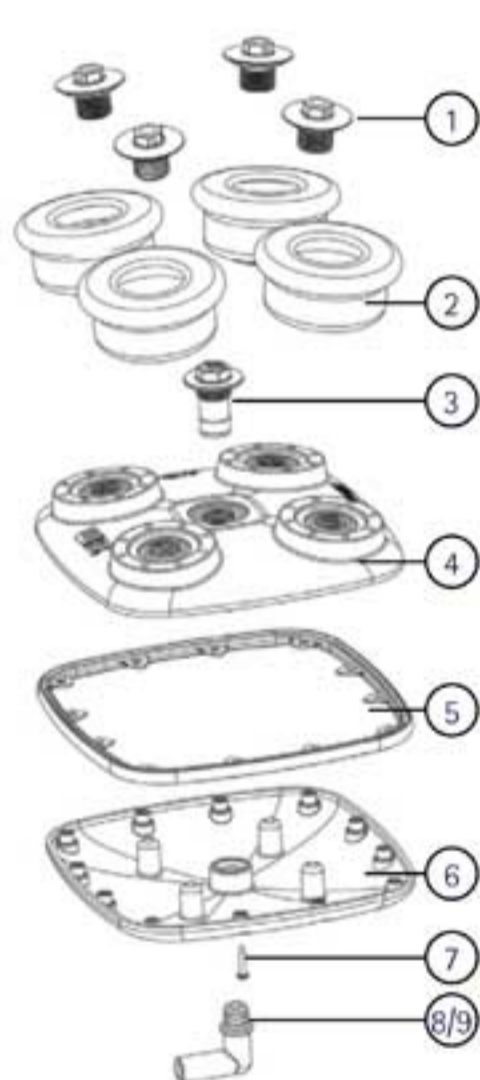
iCIP RUBBER CUP – HERRINGBONE MOUNT

- Mounts using 2 x heavy duty saddles with M8 screws into brass tapex in body back plate
- Pipeline mounted
- Can be set-up on swing arm or winch system for ease of use and loading clusters
- Stainless steel cover option



iCIP CLIP-IN – HERRINGBONE MOUNT

- Mounts using 2 x heavy duty saddles with M8 screws into brass tapex in body back plate
- Pipeline mounted
- Recessed under pit edge, the jetter swings out for cluster attachment and back under out of the way for milking



REF	DESCRIPTION	CODE
1	iCIP rubber cup retainer	JMF9020
2	Milfos 44 iCIP jetter cup	JMF9010
3	iCIP flow adjuster / NRV complete components	JMF9120
4	iCIP front cover	JMF9070
5	iCIP body seal	JMF9100
6	iCIP back plate rotary	JMF9090
7	iCIP body screw	JMF9110

REF	DESCRIPTION	CODE
8	iCIP elbow	JMF9095
9	iCIP elbow o'ring	JMF9096
10	iCIP clip in cup retainer	JMF9030
11	iCIP clip in cup seal	JMF9050
12	iCIP clip in cup holder	JMF9040
13	iCIP back plate 50mm	JMF9080
14	iCIP saddle 50mm	JMF9060
15	iCIP saddle screw	QSP0630