



MILK FILTERS

Milfos offers a complete range of milk filters to suit the smallest to largest of herds.

The inline sleeve or sock filters contaminants from the milk such as cow hair and dirt along with mastitis clots.

The high quality fabrication and material selection ensures high filtering performance. The rigid stainless steel filter cage is supplied complete with rubber sock keepers that compress in the housing and seal against product bypass while securing the filter element. The filter cage is loaded from the bottom.

The filters are easy to use and operate and are of clean in place design (CIP).

Filters can be installed in parallel to increase filtering capacity.

KEY FEATURES

- Proven design with many years in the field
- Bottom and top load models
- Rigid cage and filter body

MILK FILTER RANGE

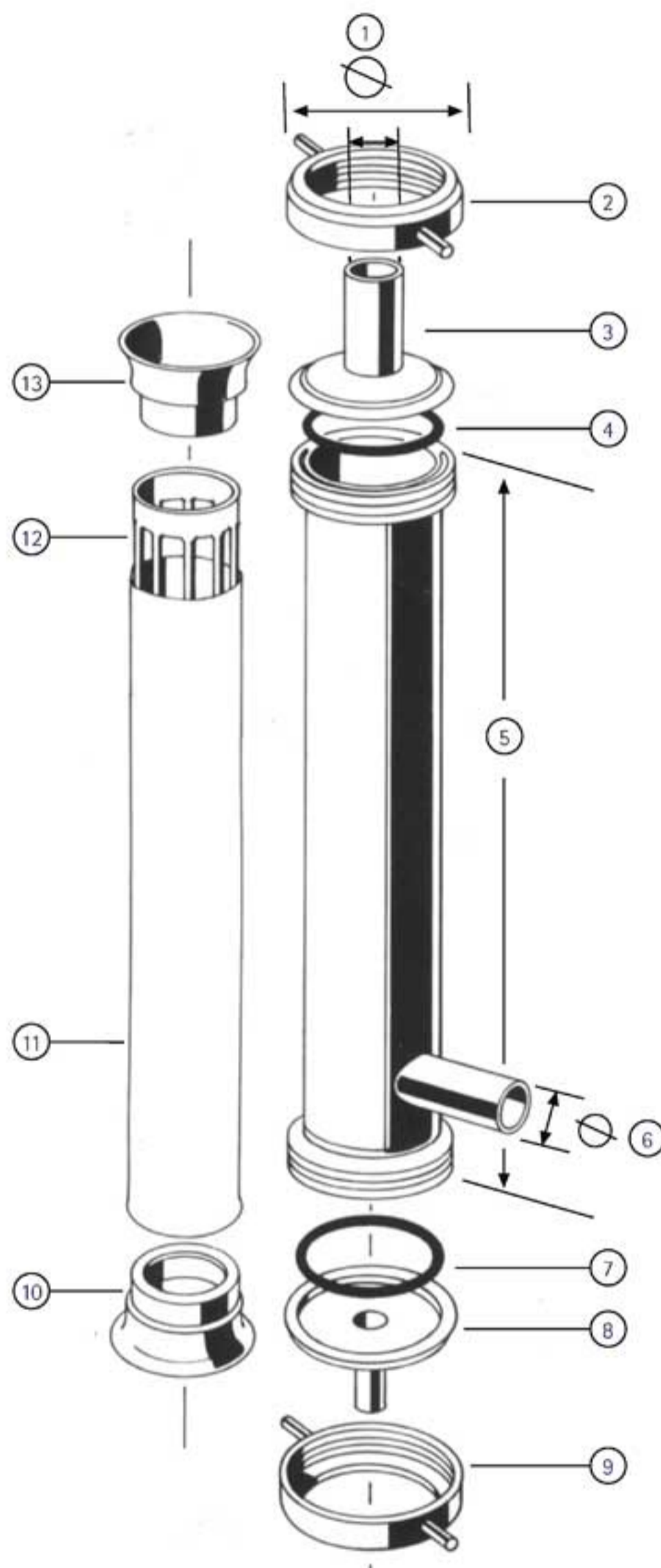


SIZE mm (Diameter x Length)	INLET mm	OUTLET mm	NO OF COWS	CODE
76 x 550	38	38	150	MFI0076
76 x 670	38	38	200	MFI0080
102 x 550	38	38	300	MFI0102
102 x 720	38	38	400	MFI0110
102 x 720	50	50	400	MFI0111
150 x 740	50	50	600	MFI0150
150 x 1000	50	50	600	MFI2000
150 x 1000	50	50	800	MFI0160
150 x 800 Top Loader	50	50	600	MFI2000

FILTER SLEEVE RANGE



FILTER MODEL	SLEEVE SIZE mm	SLEEVE HOLDER CODE	CODE
MFI0076	100 x 610	MFH0100	MFS1061
MFI0080	100 x 760	MFH0100	MFS1076
MFI0102	150 x 610	MFH0150	MFS1561
MFI0110	150 x 760	MFH0151	MFS1576
MFI0111	150 x 760	MFH0151	MFS1576
MFI0150	230 x 840	MFH0230	MFS2385
MFI2000	230 x 800	MFH0230	MFS2180
MFI0160	230 x 1100	MFH0230	MFS2311
MFI2000	225 x 800 Sewn End	MFH0230	MFS2180



REF	DESCRIPTION	REF	DESCRIPTION
1	Filter diameter	8	Outlet cap
2	Filter nut	9	Filter nut
3	Milk outlet	10	Sock keeper
4	Filter seal ring	11	Filter sleeve
5	Filter body length	12	Filter cage
6	Filter inlet	13	Sock keeper
7	Filter seal ring		