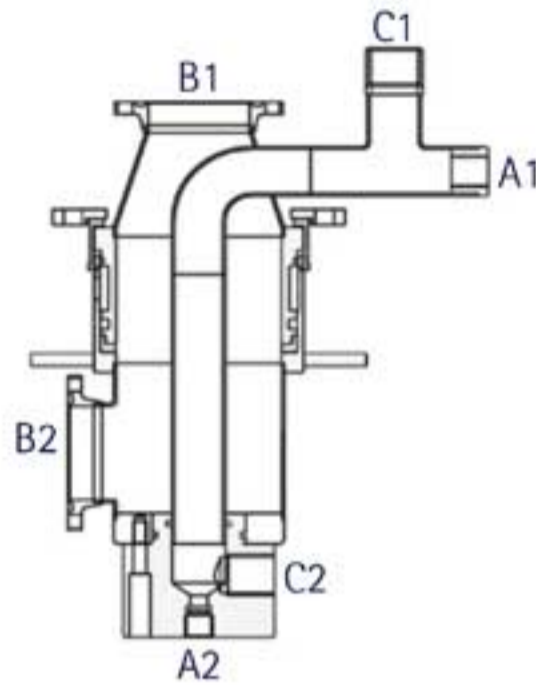




HI FLOW – 7 PORT AUXILIARY GLAND

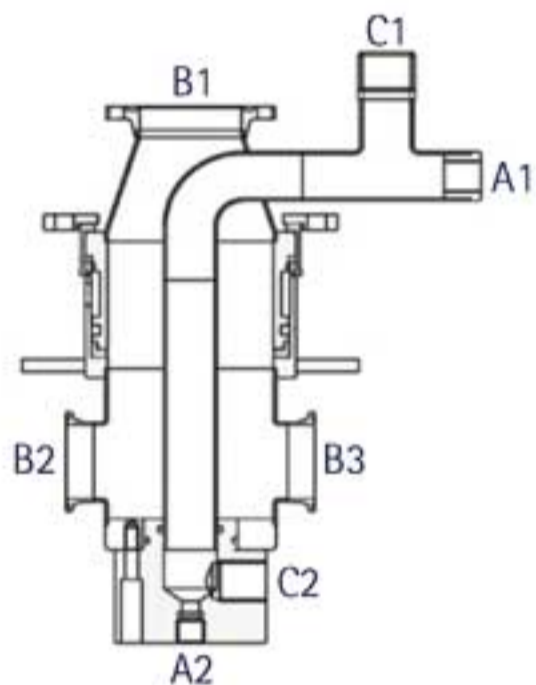
- Primarily used for delivery of CIP Wash water, Wash down water and Compressed Air
- Suitable for up to 80 points
- Ports can be reconfigured to deliver alternate services if required



REF	SIZE	CONNECTION	SUITABLE USE
A1	10mm	Pneumatic Push fit Fitting for 10mm Tube	Compressed Air or Water
A2	10mm	3/8 BSP	Compressed Air or Water
B1	63mm	63mm Flanged	CIP Wash Water or High Pressure Wash down water
B2	63mm	63mm Flanged	CIP Wash Water or High Pressure Wash down water
C1	20mm	3/4" BSP Socket	High Pressure Wash down water
C2	20mm	3/4" BSP Socket	High Pressure Wash down water

HI FLOW – 8 PORT AUXILIARY GLAND

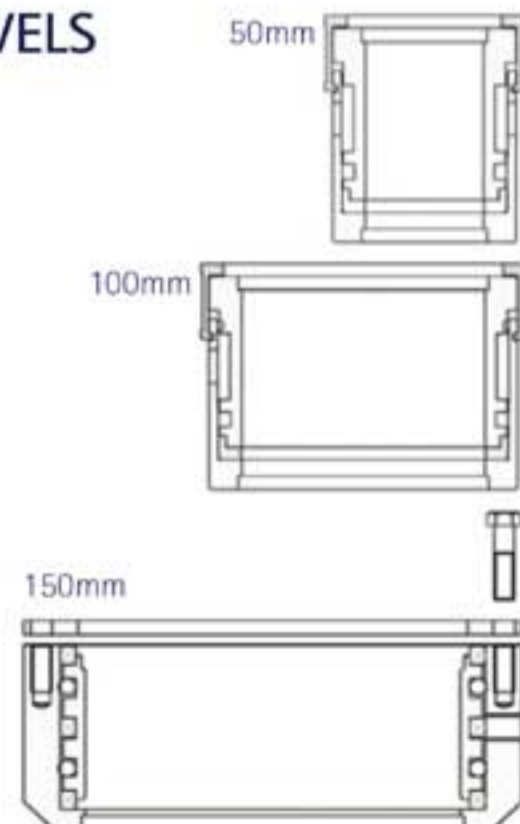
- Primarily used for delivery of CIP Wash water, Wash down water and Compressed Air
- Suitable for up to 120 points
- Ports can be reconfigured to deliver alternate services if required



REF	SIZE	CONNECTION	SUITABLE USE
A1	10mm	Pneumatic Push fit Fitting for 10mm Tube	Compressed Air or Water
A2	10mm	3/8 BSP	Compressed Air or Water
B1	63mm	63mm Flanged Tri-clover	CIP Wash Water or High Pressure Wash down water
B2	50mm	50mm Tri-clover Clamp	CIP Wash Water or High Pressure Wash down water
B3	50mm	50mm Tri-clover Clamp	CIP Wash Water or High Pressure Wash down water
C1	20mm	3/4" BSP Socket	High Pressure Wash down water
C2	20mm	3/4" BSP Socket	High Pressure Wash down water

HI FLOW – ROTARY SWIVELS

- Primarily used for delivery of Vacuum, CIP Wash water or Milk
- Butt weld connection
- Hygienic design



REF	CONNECTION	SUITABLE USE	PART NO
50mm	50mm Butt Weld	Vacuum, CIP Wash Water, Milk, Wash down Water, Compressed Air	RGA3120
100mm	100mm Butt Weld		RGA3130
150mm	150mm Butt Weld		RGA3140