

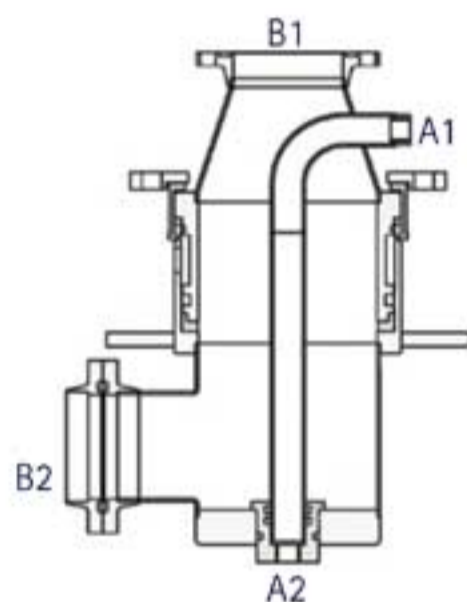


HI FLOW – 4, 5, 6, 7 & 8 AUXILIARY GLANDS

The HI FLOW auxiliary glands are primarily designed for supply of services to the rotary platform to improve productivity. Having this permanent connection allows you to operate the milk purge system at any time, alternately you can Wash the machine while using the platform for other purposes like artificial insemination as an example. Having this options means that you do not have to wait to rotate the platform to a fixed point for connection of Wash water and Air which saves you time. All HI FLOW glands are mounted to the main gland body using the modular flange and pillar system. Gland components are machined from high quality stainless steel.



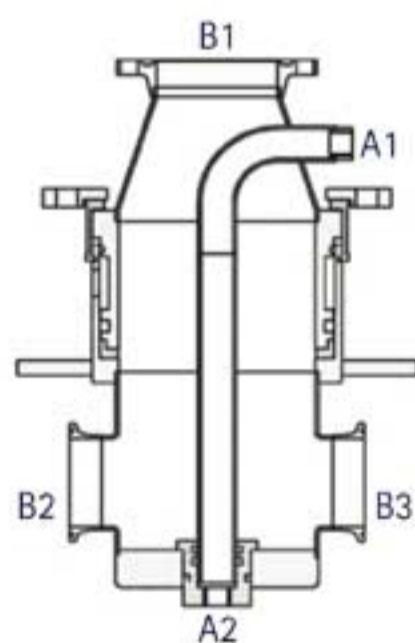
HI FLOW – 4 PORT AUXILIARY GLAND



- Primarily used for delivery of CIP Wash water and Compressed Air
- Suitable for up to 60 points
- Ports can be reconfigured to deliver alternate services if required

| REF | SIZE | CONNECTION | SUITABLE USE |
|-----|------|--------------|---|
| A1 | 12mm | ¼ BSP | Compressed Air or Water |
| A2 | 12mm | ¼ BSP | Compressed Air or Water |
| B1 | 63mm | 63mm Flanged | CIP Wash Water or High Pressure Wash down water |
| B2 | 63mm | 63mm Flanged | CIP Wash Water or High Pressure Wash down water |

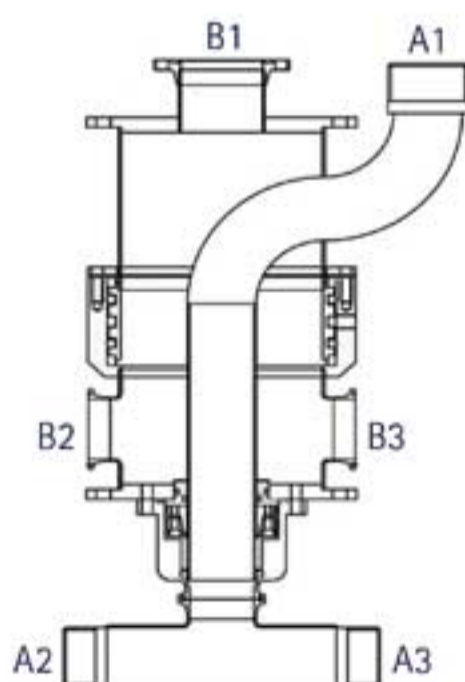
FLOW – 5 PORT AUXILIARY GLAND



- Primarily used for delivery of CIP Wash water and Compressed Air
- Suitable for up to 120 points
- Ports can be reconfigured to deliver alternate services if required

| REF | SIZE | CONNECTION | SUITABLE USE |
|-----|------|-----------------|---|
| A1 | 12mm | ¼ BSP | Compressed Air or Water |
| A2 | 12mm | ¼ BSP | Compressed Air or Water |
| B1 | 63mm | 63mm Flanged | CIP Wash Water or High Pressure Wash down water |
| B2 | 50mm | 50mm Tri-clover | CIP Wash Water or High Pressure Wash down water |
| B3 | 50mm | 50mm Tri-clover | CIP Wash Water or High Pressure Wash down water |

HI FLOW – 6 PORT AUXILIARY GLAND



- Primarily used for delivery of CIP Wash water and Compressed Air
- Suitable for up to 120 points
- Ports can be reconfigured to deliver alternate services if required

| REF | SIZE | CONNECTION | SUITABLE USE |
|-----|------|-----------------|---|
| A1 | 50mm | 1 ½ BSP | Compressed Air or Water |
| A2 | 40mm | 1 ¼ BSP | Compressed Air or Water |
| A3 | 40mm | 1 ¼ BSP | Compressed Air or Water |
| B1 | 63mm | 63mm Flanged | CIP Wash Water or High Pressure Wash down water |
| B2 | 50mm | 50mm Tri-clover | CIP Wash Water or High Pressure Wash down water |
| B3 | 50mm | 50mm Tri-clover | CIP Wash Water or High Pressure Wash down water |