



## MILKING POINT MANAGEMENT LEVEL 2

# iNTELSKAN PLUS with Pulsation Arrest



### iNTELSKAN LEVEL 2

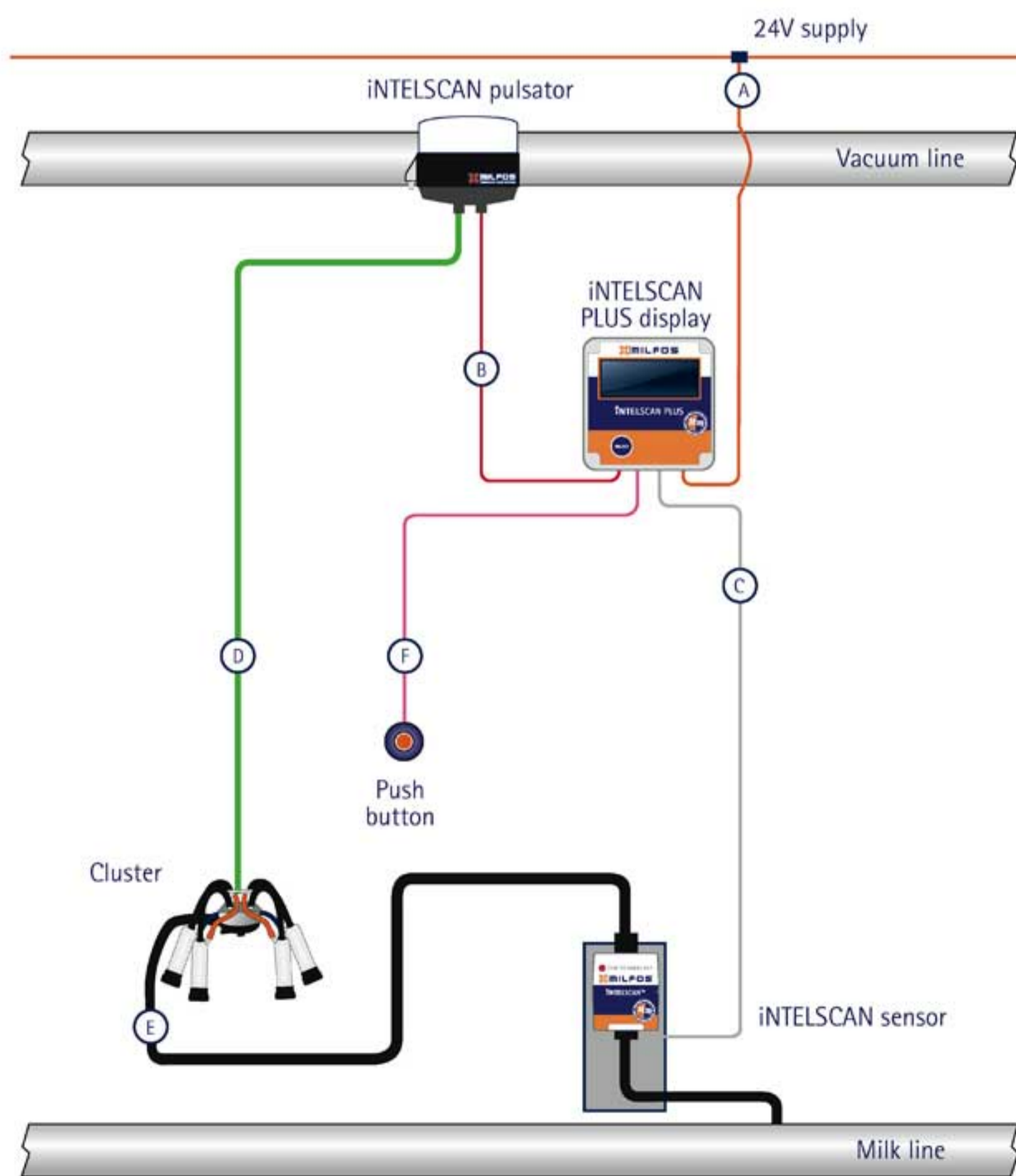
iNTELSKAN PLUS level 2 integrates advanced pulsation and makes milking time safer for cows. Designed as the perfect cost effective solution to eliminate over milking, the system collapses all four liners around the teat when the cow has finished milking. The cluster hangs in place waiting to be removed and attached to the next cow without the teat being exposed to high vacuum.

The system does not affect the natural efficiency of the swingover dairy. The advanced pulsation increases milking efficiency by stimulating those cows that do not let down their milk. Flow controlled pulsation increases milking speed and the pulsation is switched off when the milking point is not in use to extend liner life.

All level 1 features are supplied as standard and you can expand this system at any time.

### KEY FEATURES

- Eliminates over milking
- Incorporates all level 1 features
- Integrates advanced pulsation technology
- Expand your system at any time
- Yield flow & milking time display



**A** Power supply 24v

**B** iNTELSKAN pulsator control

**C** Sensor cable

**D** Pulse tube

**E** 19mm milk tube

**F** Push button control 24V