



iCRS

COW RESTRAINT SYSTEM

The iCRS system has been designed to make rotaries more efficient and reduce labour at milking time.

The iCRS system is connected and controlled by the automatic cluster remover installed on the rotary platform.

The cow restraint drops down behind the cow when the cluster is attached which keeps the cow on the platform if she has not finished milking. This reduces the labour requirements at the cups off area.

Using a chain behind slow milking cows is a thing of the past. Now, the operator simply attaches the cluster to the cow.

The system consists of machined hinges, a plastic strap and a iHDR100 ram that controls the operation.

The flexible strap that retains the cow on the platform is a key feature. The system does not use fixed metal arms that can be dangerous at pinch points around the rotary creating a working hazard for operators.

The system can be fitted to all types of rotary platforms and automated cluster removers on the market.

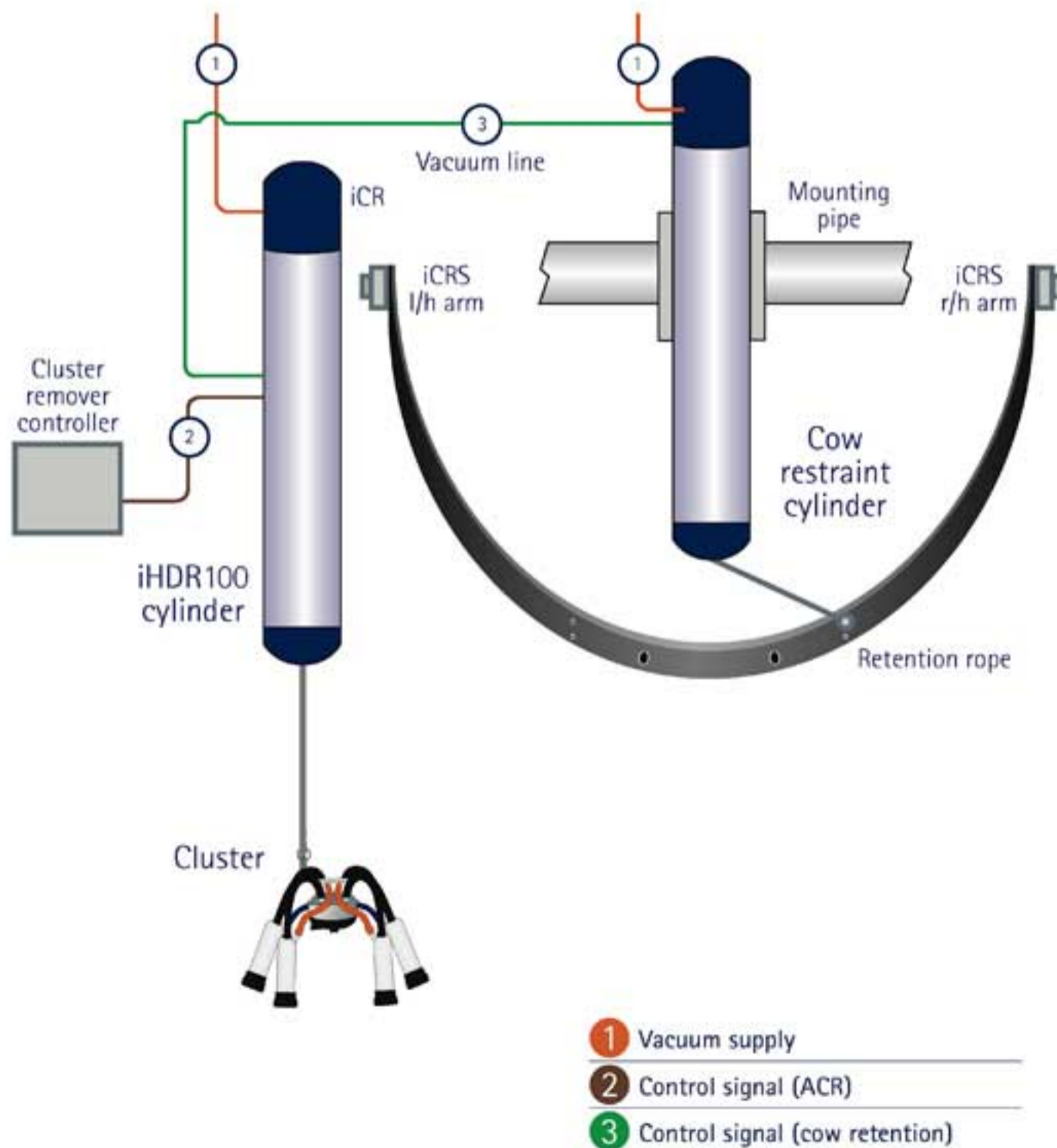
Advanced features such as retention of the cow for low milk, kick off or milk quality problems is also possible with the iCRS system.

KEY FEATURES

- Retains cow on the platform if she is still milking or has milking alerts
- Connects to the automated cluster remover
- Suitable for new or old rotary parlours
- Smart design using flexible strap reduces working hazard for operators at milking time

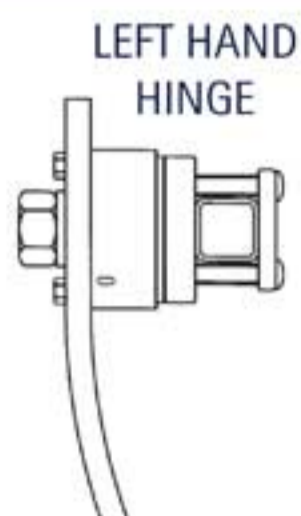


iCRS LAYOUT

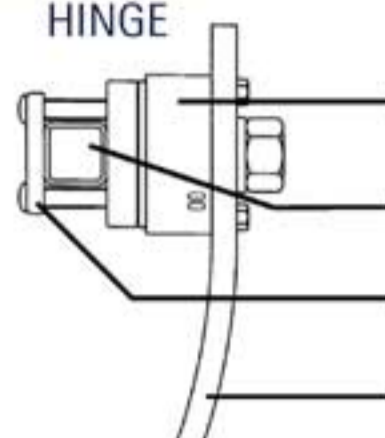




CLAMP MOUNT

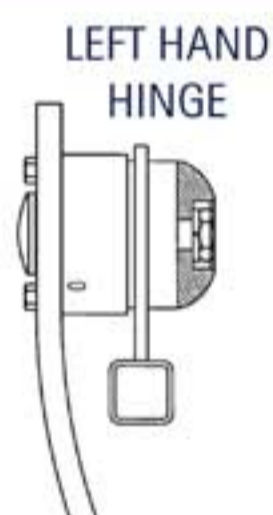


RIGHT HAND HINGE

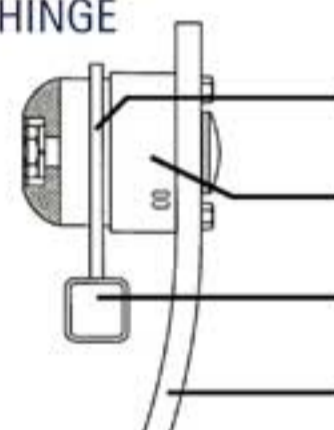


- Clamp Mount Hinge Assembly
- 25 x 25 RHS Bail Structure or similar fixing
- Mount Clamp plate
- Cow Restraint Strap

PLATE MOUNT

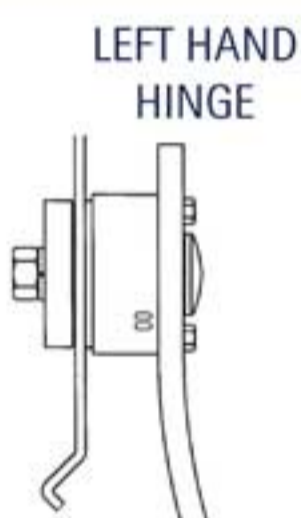


RIGHT HAND HINGE

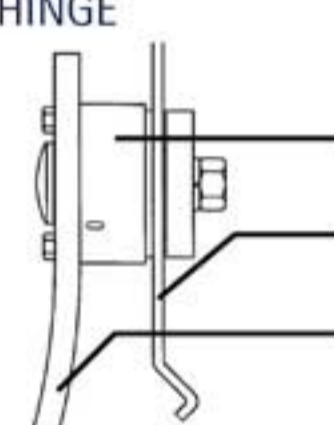


- Mounting Hinge
- Plate Mount Hinge Assembly
- 25 x 25 RHS Bail Structure or similar fixing
- Cow Restraint Strap

CABINET MOUNT

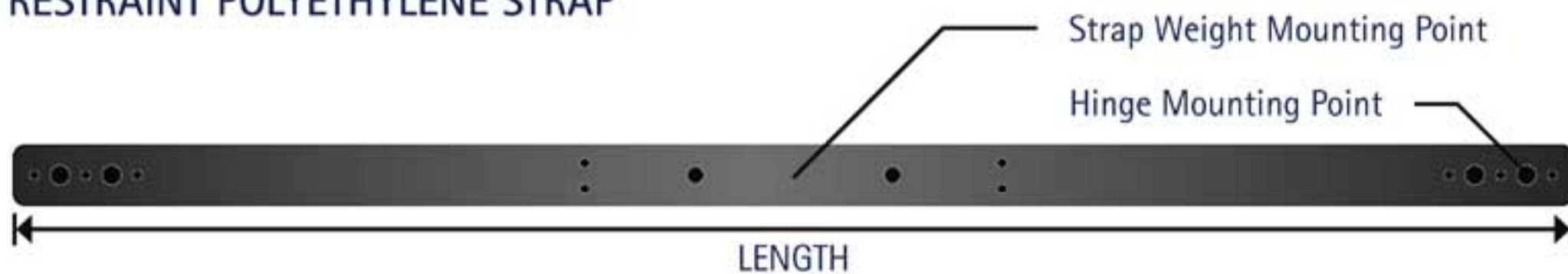


RIGHT HAND HINGE



- Cabinet Mount Hinge Assembly
- Cabinet Body or Mounting Plate
- Cow Restraint Strap

COW RESTRAINT POLYETHYLENE STRAP



iCRS

DESCRIPTION	CODE
CRS STRAP AND HINGES 1400 CLAMP MOUNT C/P	ARS2000
CRS STRAP AND HINGES 1400 PLATE MOUNT C/P	ARS2001
CRS STRAP AND HINGES 1400 CAB MOUNT C/P	ARS2002
CRS STRAP AND HINGES 1500 CLAMP MOUNT C/P	ARS2010
CRS STRAP AND HINGES 1500 PLATE MOUNT C/P	ARS2011
CRS STRAP AND HINGES 1500 CAB MOUNT C/P	ARS2012

iCRS STRAP FROM 1440 - 1700 MM

DESCRIPTION	CODE
POLYETHYLENE STRAP 1440mm x 60 x 10	ARS6071
POLYETHYLENE STRAP 1500mm x 60 x 10	ARS6072
POLYETHYLENE STRAP 1600mm x 60 x 10	ARS6073
POLYETHYLENE STRAP 1700mm x 60 x 10	ARS6074